



ZM 400 High-Performance Mixer. A Maximum in Comfort.

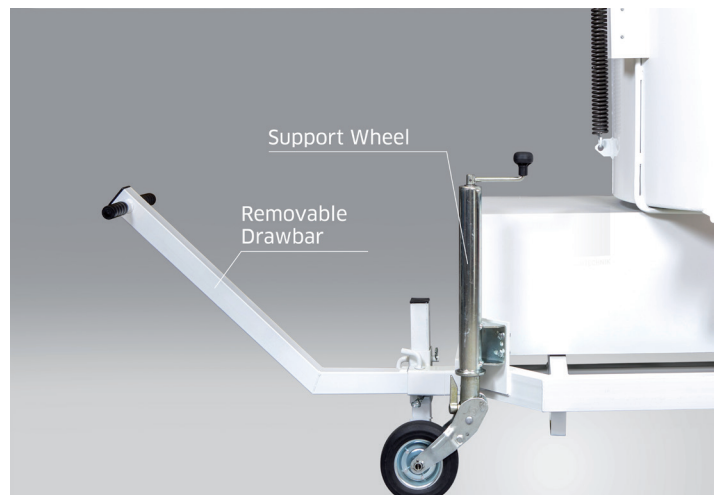


UEZ ZM 400 High Performance Compulsory Mixer

The UEZ 4-arm mixer technology ensures rapid, intensive mixing. The mixer arms are spring-loaded, the mixer scoops made of low-wear high-quality material. The compact and stable construction provides the ZM 400 with a very safe footing. Low pour-in height thanks to the vertical adjustment, easy mobility thanks to twin solid rubber wheels and the (removable) hand draw bar provide the ZM 400 high-performance compulsory mixer with optimum user comfort.

A high-performance and maintenance-free motor, only the best materials and CE certification ensure excellent durability and optimum reliability.

- UEZ 4-arm mixing technology.
- Performant and maintenance-free direct gear.
- Mixer scoops made from wear-resistant material.
- Long service life due to high-value materials.
- Low charging height due to adjustable height.
- Steady construction offers safe standing.
- With drawbar and solid rubber wheels the mixer can be moved easily.
- Saves transport costs by removable drawbar.
- Clean and easy discharging.
- Bottom discharge with segmental discharge slide allows a well-dosed discharge of the mixture.
- Foldaway safety grid on top of the drum with automatic shutoff.
- CE certified.



Technical data UEZ ZM 400

Technical data	UEZ ZM 400
Content mixer drum	480 l
Ready-made mixture (Fireproof compounds depending on spec. weight)	340 l
Discharge height	600-750 mm
Mixer	4-arm mixing technology 48 rpm
Motor	11 kW / 400 V / 32 A
Electricals	Control switch cabinet with 32 A connector
Accessories	Dust cover for drum, Water dosing, Turbo cyclone, Discharge chute, Plastic bucket
Versions	Mobile with removable hand draw bar and swivelling stabilizing wheel or static for forklift use
Safety	Automatic shutdown when safety grid opened Discharge protection CE certified
Dimensions	L 1,500 mm W 1,200 mm H 1,600 mm
Weight	720 kg

Subject to technical changes.



UEZ MISCHTECHNIK GMBH
Wilhelm-Maybach-Straße 27
D-71394 Kernen i.R.

Phone: 07151 / 25016-50
E-Mail: info@uez-mischer.de
Web: www.uez-mischer.de